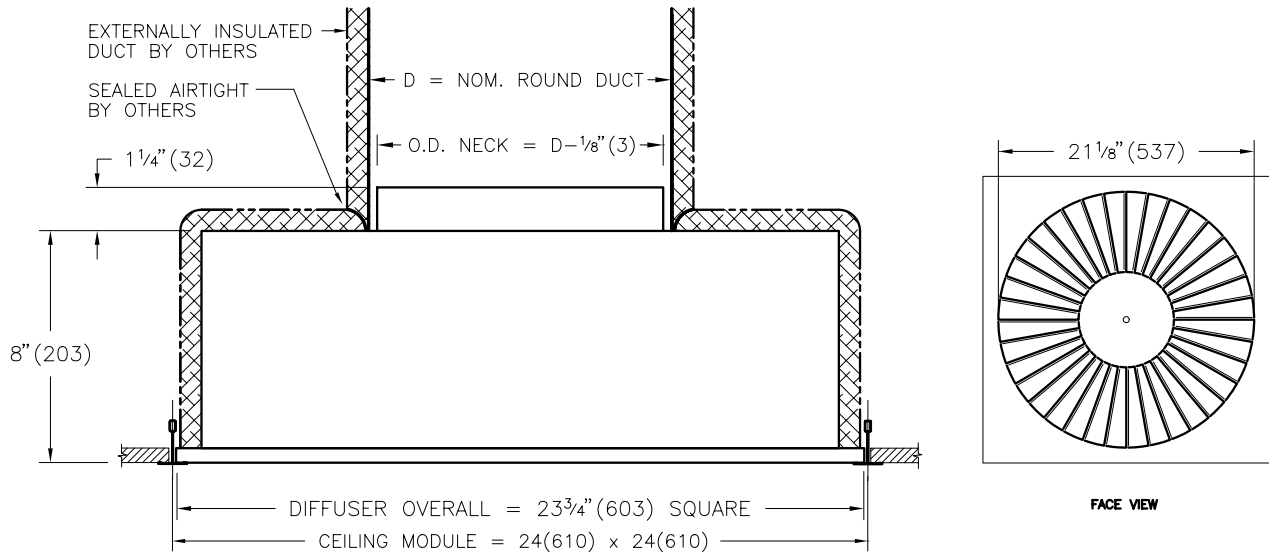


RVDLT RADIAL VANE DIFFUSER LOW TEMPERATURE



CEILING MODULE	NOMINAL ROUND DUCT		
	24 x 24 (610) x (610)	6 (152)	8 (203)

MATERIAL:

STANDARD:

- RVDLT - PLENUM COATED STEEL CONSTRUCTION
- DIFFUSER FACE STEEL CONSTRUCTION

OPTION:

- RVDLT
 - PLENUM COATED STEEL
 - DIFFUSER FACE ALUMINUM
 - PLENUM COATED STEEL
 - DIFFUSER FACE STAINLESS STEEL

FINISH:

DIFFUSER FACE (STEEL OR ALUMINUM):

- B12 WHITE
- (OPTIONAL FINISHES AVAILABLE)

DIFFUSER FACE (STAINLESS STEEL):

- #4 POLISHED FINISH

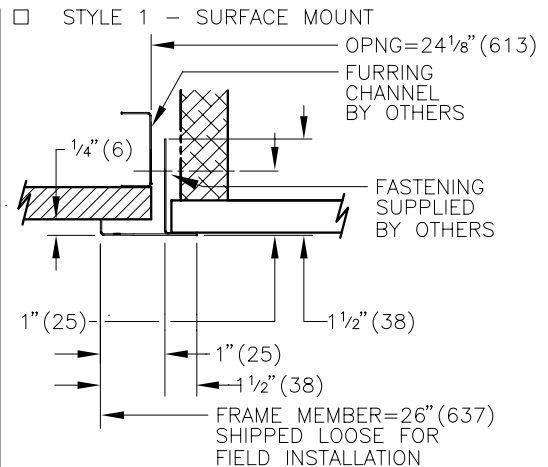
PLENUM:

- MILL FINISH

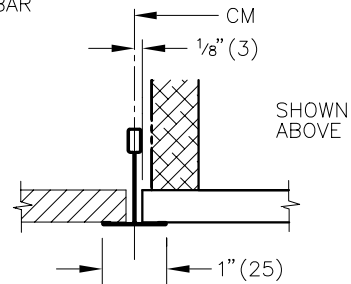
NOTES:

- PLENUM EXTERNALLY INSULATED WITH 3/4" (19mm) DUAL DENSITY FIBREGLASS WITH FOIL FACE WHICH MEETS REQUIREMENTS OF NFPA 90A AND UL181

FRAMES:



3 T-BAR



ALL METRIC DIMENSIONS () ARE SOFT CONVERTED. IMPERIAL DIMENSIONS ARE CONVERTED TO METRIC AND ROUNDED TO THE NEAREST MILLIMETER.

PROJECT:		PRICE [®]	
ENGINEER:		<i>KL</i>	RVDLT RADIAL VANE DIFFUSER LOW TEMPERATURE AIR DISTRIBUTION
CUSTOMER:		225187	
SUBMITTAL DATE:	SPEC. SYMBOL:	MAY 97	